



**PSV Aggregator/Distributor Message
Package
An Implementation of PSV**

Version 1.0

**Guide to the PSV
Aggregator/Distributor Message Package**

September 27, 2012



Copyright and Legal Notices

© 2001 – 2012 International Digital Enterprise Alliance, Inc. All Rights Reserved.

PRISM® and nextPub® are registered trademarks of the International Digital Enterprise Alliance, Inc. (IDEAlliance).

This document may be downloaded and copied provided that the above copyright notice and this Notice are included on all such copies. This document itself may not be modified in any way, except as needed for the purpose of developing International Digital Enterprise Alliance, Inc. ("IDEAlliance") specifications. Use of the specification or standard set forth in this document shall not create for the user any rights in or to such specification or standard or this document, which rights are exclusively reserved to IDEAlliance or its licensors or contributors.

Use of this document and any specification or standard contained herein is voluntary. By making use of this document or any specification or standard contained herein, the user assumes all risks and waives all claims against IDEAlliance, its licensors and contributors. By making this document available, IDEAlliance is not providing any professional services or advice to any person or entity. Any person or entity utilizing this document or any specification or standard contained herein should rely upon the advice of a competent professional before using any such information.

NO WARRANTY, EXPRESSED OR IMPLIED, IS MADE REGARDING THE ACCURACY, ADEQUACY, COMPLETENESS, LEGALITY, RELIABILITY OR USEFULNESS OF ANY INFORMATION CONTAINED IN THIS DOCUMENT OR IN ANY SPECIFICATION OR STANDARD OR OTHER PRODUCT MADE AVAILABLE BY IDEALLIANCE. THIS DOCUMENT AND THE INFORMATION CONTAINED HEREIN AND INCLUDED IN ANY SPECIFICATION OR STANDARD OR OTHER PRODUCT OR SERVICE OF IDEALLIANCE IS PROVIDED ON AN "AS IS" BASIS. IDEALLIANCE DISCLAIMS ALL WARRANTIES OF ANY KIND, EXPRESS OR IMPLIED, INCLUDING BUT NOT LIMITED TO, ANY ACTUAL OR ASSERTED WARRANTY OF NON-INFRINGEMENT OF PROPRIETARY RIGHTS, MERCHANTABILITY, OR FITNESS FOR A PARTICULAR PURPOSE.

IN NO EVENT SHALL IDEALLIANCE, ITS LICENSEES, CONTRIBUTORS OR THEIR RESPECTIVE OFFICERS, DIRECTORS, EMPLOYEES, AGENTS, REPRESENTATIVES, SUPPLIERS OR CONTENT OR SERVICE PROVIDERS BE LIABLE FOR DAMAGES OF ANY KIND, INCLUDING WITHOUT LIMITATION, DIRECT, INDIRECT, COMPENSATORY, SPECIAL, INCIDENTAL, PUNITIVE OR CONSEQUENTIAL DAMAGES (INCLUDING WITHOUT LIMITATION DAMAGES FROM DATA LOSS OR BUSINESS INTERRUPTION) EVEN IF MADE AWARE OF THE POSSIBILITY OF SUCH DAMAGES, WHETHER IN AN ACTION UNDER CONTRACT, TORT OR ANY OTHER THEORY, ARISING OUT OF OR IN CONNECTION WITH THE USE, INABILITY TO USE OR PERFORMANCE OF THIS DOCUMENT, THE SPECIFICATION OR STANDARD CONTAINED HEREIN, OR ANY OTHER DOCUMENT OR SPECIFICATION OR STANDARD MADE AVAILABLE BY IDEALLIANCE.

Some states do not allow the disclaimer or limitation of damages, so the disclaimers set forth above apply to the maximum extent permitted under applicable law.

IDEAlliance takes no position regarding the validity or scope of any intellectual property or other rights that might be claimed or implicated with respect to the implementation or use of the technology described in this document or the extent to which any license under such rights might or might not be available. IDEAlliance does not represent that it has made any effort to identify any such rights. Information on IDEAlliance's procedures with respect to rights in IDEAlliance specifications can be found at the IDEAlliance website at www.idealliance.org. Copies of third-party claims of rights, assurances of licenses to be made available, or the result of an attempt made to obtain a general license or permission for the use of such proprietary rights by implementers or users of this specification, can be obtained from the President of IDEAlliance at patent-disclosure@idealliance.org.

IDEAlliance requests interested parties to disclose any copyrights, trademarks, service marks, patents, patent applications, or other proprietary or intellectual property rights which may cover technology that may be required to implement this specification. Please address the information to the President of IDEAlliance at patent-disclosure@idealliance.org.

Table of Contents

1	Status	1
1.1	Document Status	1
1.2	Document Location	1
2.3	Version History.....	1
2	Introduction	5
2.1	Background of the Aggregator/Distributor Message	5
2.1.1	What is an Aggregator/Syndicator?	5
2.1.2	What is an Aggregator/Distributor?	5
2.2	About The Guide to the PSV Aggregator/Distributor Message Package.....	5
2.3	How Can I Use this Guide?	5
2.4	Supporting Documentation.....	6
2.4.1	PRISM Source Vocabulary Documentation	6
2.4.2	PRISM 3.0 General Documents	6
2.4.3	PRISM 3.0 Metadata Specifications	7
2.4.4	PRISM 3.0 Controlled Vocabulary Specifications	8
1.3.6	Access to Supporting Documentation	8
2.5	Legend for Diagrams.....	8
2.6	Relationship to PRISM Source Vocabulary	9
2.7	Relationship to HTML5.....	9
2.8	The Relationship to PRISM.....	10
2.9	Relationship to the PRISM Aggregator Message (PAM)	10
3	The pamP XML Message Model.....	13
3.1	PSV Aggregator/Syndicator Message Package Use Cases.....	13
3.1.1	Use Case 001: Deliver a Complete PDF Issue	13
3.1.2	Use Case 002: Deliver a Complete Issue Made Up of PDF Components.....	13
3.1.3	Use Case 003: Deliver a Complete PSV Tagged Issue	14
4	Implementation Models.....	15
4.1	Implementation Model 1-1.....	15
4.2	Implementation Model 1-2.....	15
4.3	Implementation Model 1-3.....	16
4.4	Implementation Model 2-1.....	16
4.5	Implementation Model 2-2.....	17

Guide to PSV Aggregator/Distributor Message Package

4.6	Implementation Model 3-1.....	18
5	Issue Metadata.....	20
5.1.1	Required Fields.....	20
5.1.2	pamP:contentStatus	20
5.1.3	Publication Information	20
5.1.4	Fields from PSV Issue Information	21
5.1.5	Supplement Information	21
6	Item Metadata	23
7	pamP Schema.....	24

1 STATUS

1.1 Document Status

The status of this document is:

✓	Draft for Public Comment	June 29, 2012
✓	Specification Release	September 27, 2012

1.2 Document Location

The location of this document is: http://www.primstandard.org/specifications/PAMP/PAMP_Guide.pdf

2.3 Version History

Version Number	Release Date	Editor	Description
PAMP 1.0	June 30, 2012	Kennedy	Public Draft
PAMP 1.0	September 27, 2012	Kennedy	Public Draft

Guide to PSV Aggregator/Distributor Message Package

2 INTRODUCTION

2.1 Background of the Aggregator/Distributor Message

This implementation of the PRISM Source Vocabulary was developed by the Japanese Magazine Publishing Association in collaboration with members of the IDEAlliance nextPub Initiative and the PRISM Working Group. This PSV Implementation is being published as a component of the PRISM Source Vocabulary Specification documentation package and is open for international comment and adoption.

The PSV Aggregator/Distributor Message Package was developed to meet three use cases documented in this Guide. These use cases represent the magazine and news publishing model found today in Japan. However use of this implementation of PSV is not limited to Japan.

2.1.1 What is an Aggregator/Syndicator?

In North America aggregators and syndicators are synonymous. The aggregator/syndicator purchases rights to content from multiple publishers for the purpose of combining content across magazine titles and offering the collection of content to the public as a distinct product offering. In this business model, the aggregator/syndicator serves as a secondary content publisher.

2.1.2 What is an Aggregator/Distributor?

In Japan, an aggregator is synonymous with a distributor. The business model in Japan is for the publisher to create and produce magazine and news content and for an aggregator/distributor to manufacture and deliver the magazine or newspaper (including tablet editions) to the public as a primary publication.

Note: An aggregator/syndicator serves a very different function from an aggregator/distributor. This Guide documents the PSV-based XML message used to deliver content from a publisher to an aggregator/distributor. This PSV implementation is not intended to be used to implement a use case based on an aggregation/syndication business model.

2.2 About The Guide to the PSV Aggregator/Distributor Message Package

The PSV Aggregator/Distributor Message Package Guide [PAMPGUIDE] document describes how to use the PSV metadata fields and pamP XML messaging tags to deliver content to content aggregators/distributors. The Guide documents the pamP XML message structure and provides the pamP XSD and document samples.

2.3 How Can I Use this Guide?

This guideline document describes how to apply PSV-based XML tagging and PRISM 3.0 metadata fields to deliver content to aggregator/distributors.

The *pamP Guide* documents the XML tagging to support three distinct use cases:

- Magazine and news publishers wish to deliver PSV-based XML message containing publication/issue and optionally article metadata with an external link to a downloadable issue PDF from a particular centralized server or CMS.
- Magazine and news publishers wish to deliver PSV-based XML message containing publication/issue metadata with metadata for each article-level component of the issue along with an external link to a downloadable PDF for each article from a particular centralized server or CMS.

Guide to PSV Aggregator/Distributor Message Package

- In the future, Magazine and news publishers wish to deliver a PSV-based XML message containing publication/issue metadata with metadata for each article-level component of the issue along with PSV-tagged article content.

2.4 Supporting Documentation

Both the PRISM and PRISM Source Vocabulary Specifications are required to support the JMPA PSV Aggregator Message Package. The PRISM Documentation Package consists of:

2.4.1 PRISM Source Vocabulary Documentation

nextPub has developed a series of specifications collectively known as the PRISM Source Vocabulary. The use case for PSV is to encode semantically rich content for transformation and delivery to any platform. This Specification is made up of a modular documentation package that builds on PRISM 3.0 and HTML5. Over time new modules may be added to the documentation package. The documentation package for the nextPub PRISM Source Vocabulary Specification Version 1.0 consists of:

Document	Description
PRISM Source Vocabulary Specification Overview [PSVSO] http://www.prismstandard.org/specifications/psv/1.0/PSV_overview.pdf or http://www.prismstandard.org/specifications/psv/1.0/PSV_overview.htm	The Introduction to the PRISM Source Vocabulary provides an introduction and a non-technical overview of the PRISM Source Vocabulary.
PRISM Source Vocabulary Specification [PSVS] http://www.prismstandard.org/specifications/psv/1.0/PSV.pdf or http://www.prismstandard.org/specifications/psv/1.0/PSV.htm	The PRISM Source Vocabulary Specification defines semantically rich for source metadata and content markup that can be transformed and served to a wide variety of output devices including eReaders, mobile tablet devices, smart phones and print.
PRISM Source Vocabulary Markup Specification [PSVMS] http://www.prismstandard.org/specifications/psv/1.0/PSV_markup.pdf or http://www.prismstandard.org/specifications/psv/1.0/PSV_markup.htm	The PSV Markup Specification documents the XML tags in the PSV namespace that are used to encode XML Source Content.
PAM to PSV_Guide [PAMPSVGUIDE] http://www.prismstandard.org/specifications/psv/1.0/PAM_PSV.pdf or http://www.prismstandard.org/specifications/psv/1.0/PAM_PSV.htm	This Guide documents mappings from PAM XML to PSV XML. It is normative only.

2.4.2 PRISM 3.0 General Documents

This is a set of general or overview documents that apply to PRISM.

Guide to PSV Aggregator/Distributor Message Package

Document	Description
PRISM Introduction [PRISMINT] http://www.primstandard.org/specifications/3.0/PRISM_introduction_3.0.pdf or http://www.primstandard.org/specifications/3.0/PRISM_introduction_3.0.htm	Overview, background, purpose and scope of PRISM; examples; contains no normative material.
PRISM Compliance [PRISMCOMP] http://www.primstandard.org/specifications/3.0/PRISM_compliance_3.0.pdf or http://www.primstandard.org/specifications/3.0/PRISM_compliance_3.0.htm	Describes three profiles of PRISM compliance for content and systems; includes normative material.

2.4.3 PRISM 3.0 Metadata Specifications

This is the set of documents that outline the prism metadata fields and values by PRISM metadata category. PRISM has modularized its metadata specification by namespace so users may pick those modules that meet their unique business requirements without having to implement the entire PRISM specification.

Document	Description
The PRISM Basic Metadata Specification [PRISMBMS] http://www.primstandard.org/specifications/3.0/PRISM_Basic_Metadata_3.0.pdf or http://www.primstandard.org/specifications/3.0/PRISM_Basic_Metadata_3.0.htm	Describes the basic metadata elements contained in the PRISM namespace to describe article content; includes normative material.
PRISM Advertising Metadata Specification [PRISMADMS] http://www.primstandard.org/specifications/3.0/PRISM_Advertising_Metadata_3.0.pdf or http://www.primstandard.org/specifications/3.0/PRISM_Advertising_Metadata_3.0.htm	Describes advertising metadata elements including those drawn from AdsML, GWG and Ad-ID; includes normative material.
The PRISM Subset of Dublin Core Metadata Specification [PRISMDCMS] http://www.primstandard.org/specifications/3.0/PRISM_Dublin_Core_Metadata_3.0.pdf or http://www.primstandard.org/specifications/3.0/PRISM_Dublin_Core_Metadata_3.0.htm	Describes the metadata elements from the Dublin Core namespace that are included in PRISM; includes normative material.
The PRISM Image Metadata Specification [PRISMIMS] http://www.primstandard.org/specifications/3.0/PRISM_Image_Metadata_Specification_3.0.pdf or http://www.primstandard.org/specifications/3.0/PRISM_Image_Metadata_Specification_3.0.htm	Describes the metadata elements contained in the PRISM Metadata for Images Namespace and other related image namespaces, includes normative material.

Guide to PSV Aggregator/Distributor Message Package

Document	Description
The PRISM Recipe Metadata Specification [PRISMRMS] http://www.primstandard.org/specifications/3.0/PRISM_Recipe_Metadata_3.0.pdf or http://www.primstandard.org/specifications/3.0/PRISM_Recipe_Metadata_3.0.htm	Describes the metadata elements contained in the PRISM Recipe Metadata Namespace, includes normative material
The PRISM Usage Rights Metadata Specification [PRISMURMS] http://www.primstandard.org/specifications/3.0/PRISM_Usage_Rights_Metadata_3.0.pdf or http://www.primstandard.org/specifications/3.0/PRISM_Usage_Rights_Metadata_3.0.htm	Describes the metadata elements contained in the PRISM Usage Rights Namespace; includes normative material. This namespace will supersede elements in both the prism: and prl: namespaces in version 3.0 of the specification.

2.4.4 PRISM 3.0 Controlled Vocabulary Specifications

These modules are new with PRISM 3.0. All controlled vocabularies and their terms are documented in this publication set.

Document	Description
The PRISM Controlled Vocabulary Markup Specification [PRISMCVMS] http://www.primstandard.org/specifications/3.0/PRISM_Controlled_Vocabulary_Markup_3.0.pdf or http://www.primstandard.org/specifications/3.0/PRISM_Controlled_Vocabulary_Markup_3.0.htm	Describes the metadata fields in the PRISM Controlled Vocabulary Namespace that can be used to describe a controlled vocabulary. Actual PRISM controlled vocabularies are now placed in the PRISM Controlled Vocabularies Specification [PRISMCVS]
The PRISM Controlled Vocabularies Specification [PRISMCVS] http://www.primstandard.org/specifications/3.0/PRISM_CV_Spec_3.0.pdf or http://www.primstandard.org/specifications/3.0/PRISM_CV_Spec_3.0.htm	The PRISM Controlled Vocabularies are now documented in this document.

1.3.6 Access to Supporting Documentation

The PRISM Source Vocabulary Documentation Package is publicly and freely available on the nextPub website, www.nextpub.org. The PRISM documentation package is publicly and freely available on the PRISM website, www.primstandard.org.

2.5 Legend for Diagrams

In this guide, the XML model is often illustrated by a model diagram. Each diagram was produced with the XML Spy product. These diagrams show the elements and attributes that make up a model and their order and frequency.

Guide to PSV Aggregator/Distributor Message Package

The legend for reading XML model diagrams is shown in Figure 1.1. Elements that are required by the model are shown in a solid box. Elements that are optional are shown in a dotted box. Likewise attributes may be required (solid box) or optional (dotted box). A repeatable occurrence of elements is indicated by numbers below each element box to the right.

The diagrams also indicate how elements are assembled. When building some models, elements may occur in a sequence with a specified order. Other models provide a choice from among a number of elements. The legend in Figure 2.1 shows the connectors for sequence and choice.

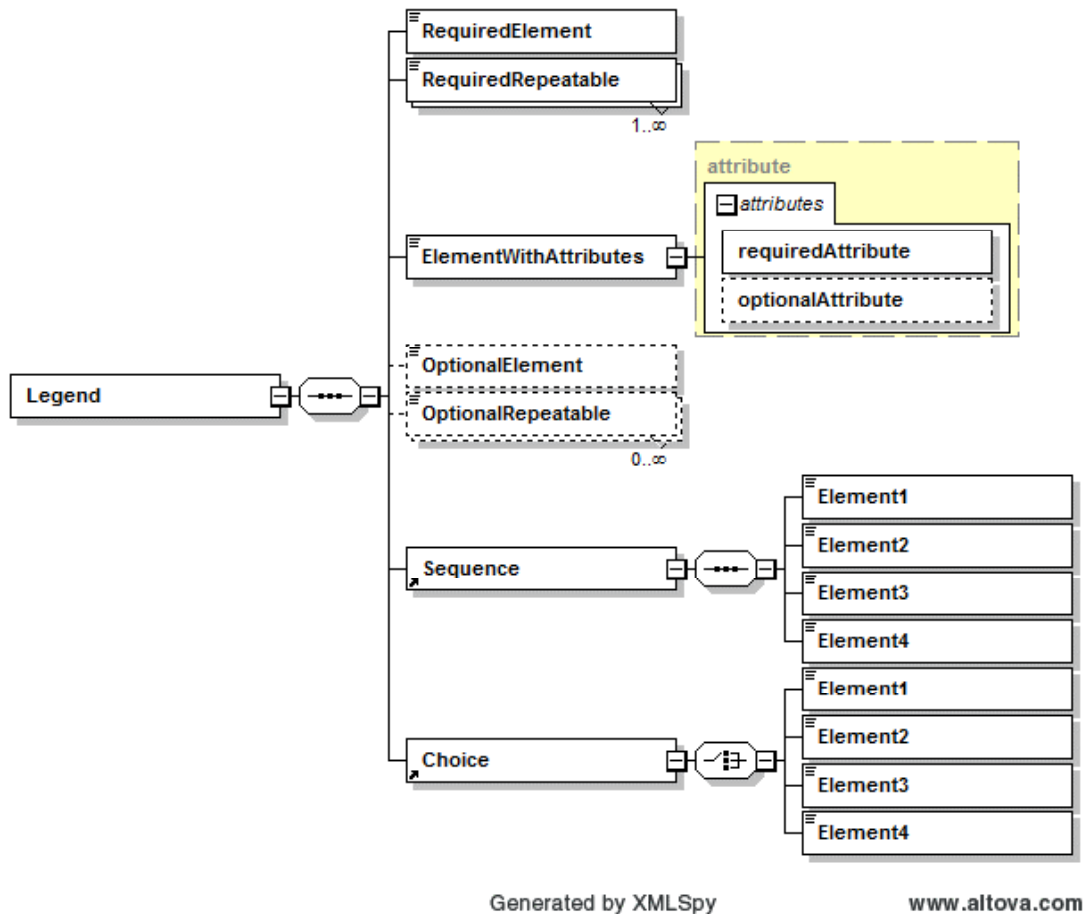


Figure 2.1 Legend for XML Diagrams

2.6 Relationship to PRISM Source Vocabulary

The PSV Aggregator/Distributor Message Package builds upon the PRISM Source Vocabulary, an XML tag set for encoding semantically rich, platform-agnostic source publication content and metadata for delivery across platforms and channels. The PSV tag set includes mechanisms for encoding source magazine content and its metadata. See the nextPub PRISM Source Vocabulary Specification [PSVS] for more information.

2.7 Relationship to HTML5

HTML5 is gaining credibility as a delivery platform for publications, not only on the Web but as an alternative to the publication apps that we see today on tablets and smart phones. The IDEAlliance nextPub PRISM Source Vocabulary Specification Working Group has decided to come into as close compliance with the XML Serialization of HTML5 as is possible. Hence HTML5 serves as the foundation for tagging PSV content.

Guide to PSV Aggregator/Distributor Message Package

2.8 The Relationship to PRISM

The PSV Aggregator/Distributor Message Package builds upon PSV that builds upon the foundation of PRISM 3.0 Specifications and relies on the metadata fields and controlled vocabularies defined by PRISM. pamP defines an XML message for delivering metadata, links to issue and article PDFs and for tagging source content, but it *does not* define its own metadata fields or controlled vocabularies.

2.9 Relationship to the PRISM Aggregator Message (PAM)

In 2004, The PRISM Working Group defined an XML tag set for encoding metadata and article content for delivery to aggregators/syndicators. This tag set, known as the PRISM Aggregator Message, or PAM has been widely implemented in North America. This PSV Aggregator/Distributor Message Package Specification is designed to deliver content to aggregator/distributors in Japan. It has a different use case than the original PAM and is based on newer technology, including PRISM Source Vocabulary (PSV), PRISM 3.0 and HTML5. The pamP should not be confused with the original PRISM Aggregator Message. See Figure 2.1.

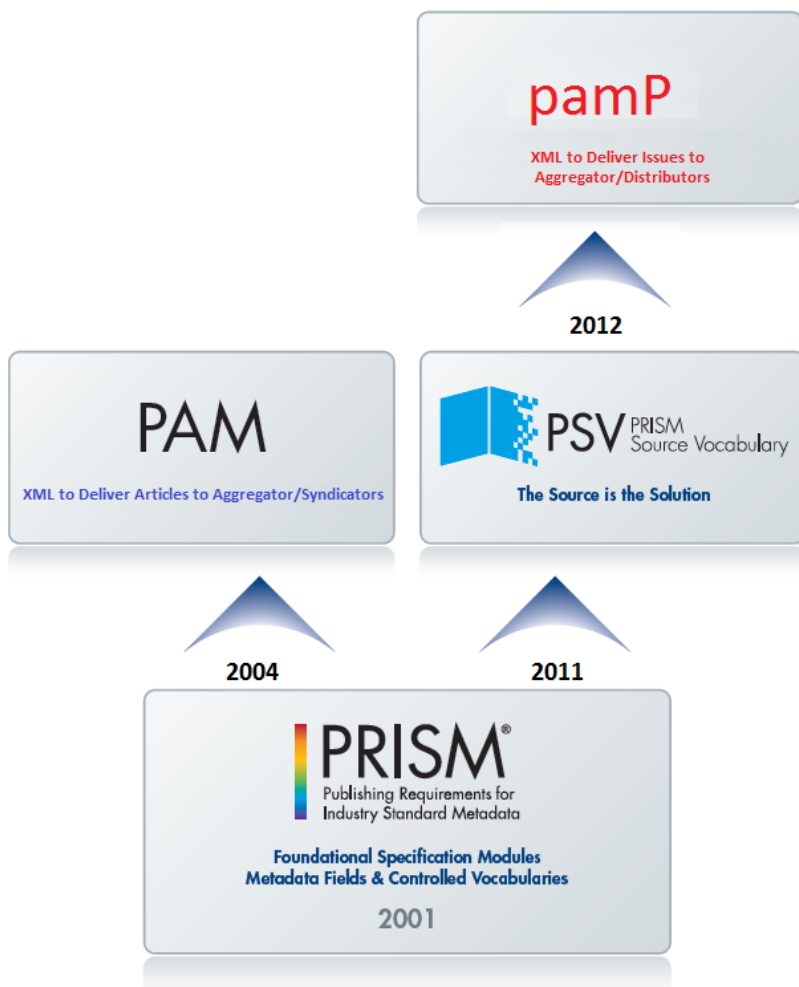


Figure 2.1 pamP Origins

Guide to PSV Aggregator/Distributor Message Package

3 THE PAMP XML MESSAGE MODEL

3.1 PSV Aggregator/Syndicator Message Package Use Cases

Three use cases have been identified for The PSV Aggregator/Distributor Message Package. The use cases are documented below. Note that the XML Model has been defined to support all three use cases.

3.1.1 Use Case 001: Deliver a Complete PDF Issue

Title	Deliver a Complete PDF Issue to Aggregators
Summary:	Magazine and news publishers wish to deliver PSV-based XML message containing publication/issue and optionally article metadata with an external link to a downloadable issue PDF from a particular centralized server or CMS.
Actors:	Publishers, Aggregator/Distributor
Prerequisites:	
Scenario:	<ol style="list-style-type: none">1. Publishers send a message designed to “deliver” a complete PDF magazine/newspaper issue with metadata to aggregators.2. Aggregators process the message and download a complete PDF issue from a centralized publishers’ CMS.
-Requirements	<ol style="list-style-type: none">1. The message must identify the publisher, publication and issue of content being delivered.2. The issue PDF must be available on a centralized publishers’ CMS for download.3. The message must be based on the PRISM Source Vocabulary 1.0..

3.1.2 Use Case 002: Deliver a Complete Issue Made Up of PDF Components

Title	Deliver a Complete Issue Made Up of PDF Components to Aggregators
Summary:	Magazine and news publishers wish to deliver PSV-based XML message containing publication/issue metadata with metadata for each article-level component of the issue along with an external link to a downloadable PDF for each article from a particular centralized server or CMS.
Actors:	Publisher, Aggregator/Distributor
Prerequisites:	
Scenario:	<ol style="list-style-type: none">1. Publishers send a message designed to “deliver” a complete magazine/newspaper issue made up of PDF components with accompanying metadata to aggregators.2. Aggregators process the message and download a components making up a complete issue from a centralized publishers’ CMS for

Guide to PSV Aggregator/Distributor Message Package

	distribution to subscribers.
-Requirements	<ol style="list-style-type: none">1. The message must identify the publisher, publication and issue of content being delivered.2. The issue PDF components must be available on a centralized publishers' CMS for download.3. The message must be based on the PRISM Source Vocabulary 1.0..

3.1.3 Use Case 003: Deliver a Complete PSV Tagged Issue

Title	Deliver a Complete PSV Tagged Issue to Aggregators
Summary:	In the future, Magazine and news publishers wish to deliver a PSV-based XML message containing publication/issue metadata with metadata for each article-level component of the issue along with PSV-tagged article content.
Actors:	Publishers, Aggregator/Distributors
Prerequisites:	
Scenario:	<ol style="list-style-type: none">1. Publishers send a message designed to “deliver” a complete PSV aged magazine/newspaper issue to aggregators.2. Aggregator/Distributors process the message and accept delivery of the issue coded in PSV / HTML5 for distribution to subscribers.
-Requirements	<ol style="list-style-type: none">1. The message must identify the publisher, publication and issue of content being delivered.2. The issue PDF must be available on a centralized publishers' CMS for download.3. The message must be based on the PRISM Source Vocabulary 1.0..

4 IMPLEMENTATION MODELS

The use cases driving the development of the PSV Aggregator/Distributor Message Package may be implemented in a number of ways. Implementation Models for these use cases are documented in this section of the Guide.

4.1 Implementation Model 1-1

The first implementation model for Use Case #1 is a model where issue metadata is delivered to aggregators/distributors along with a link to a PDF of the issue, ready for distribution to subscribers. Figure 4.1 shows the XSD path to support this implementation model.

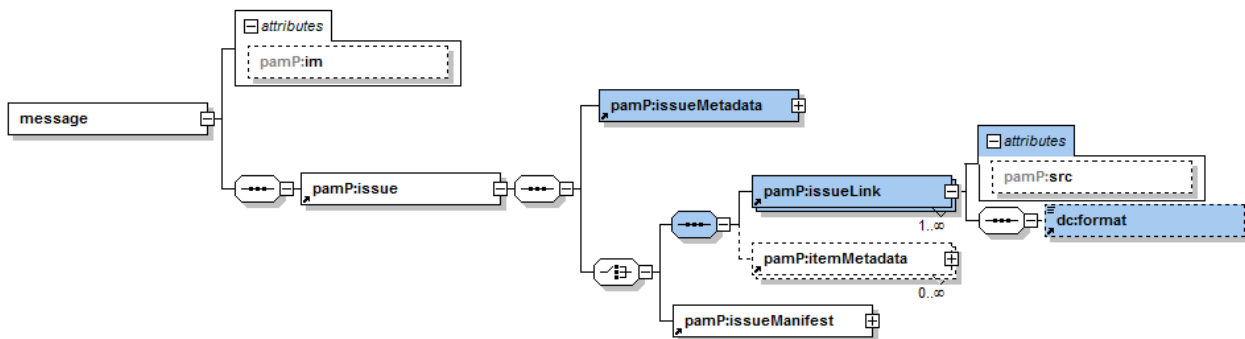
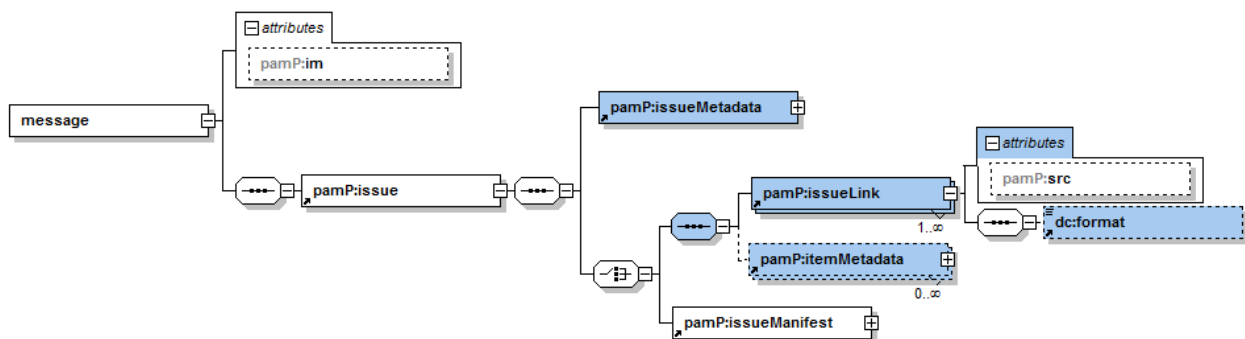


Figure 4.1 IM 1-1 Schema View

```
<message im="1-1">
<issue><issueMetadata> . . . </issueMetadata>
<issueLink scr=http://www.\*\*\*.pdf>
    <dc:format>application/pdf</dc:format>
</issueLink>
</issue>
</message>
```

4.2 Implementation Model 1-2

The second implementation model for Use Case #1 is a model where issue metadata is delivered to aggregators/distributors along with a link to a PDF of the issue, ready for distribution to subscribers. In addition metadata about each article within the issue is provided to the aggregator/distributors. Figure 4.2 shows the XSD path to support this implementation model.



Guide to PSV Aggregator/Distributor Message Package

Figure 4.2 IM 1-2 Schema View

```
<message im="1-2">
<issue><issueMetadata> . . . </issueMetadata>
<issueLink scr=http://www.\*\*\*.pdf>
    <dc:format>application/pdf</dc:format>
</issueLink>
<itemMetadata> . . . </itemMetadata>
</issue>
</message>
```

4.3 Implementation Model 1-3

The third implementation model for Use Case #1 is a model where issue metadata is delivered to aggregators/distributors along with multiple links to the issue in a number of formats, ready for distribution to subscribers. Figure 4.3 shows the XSD path to support this implementation model.

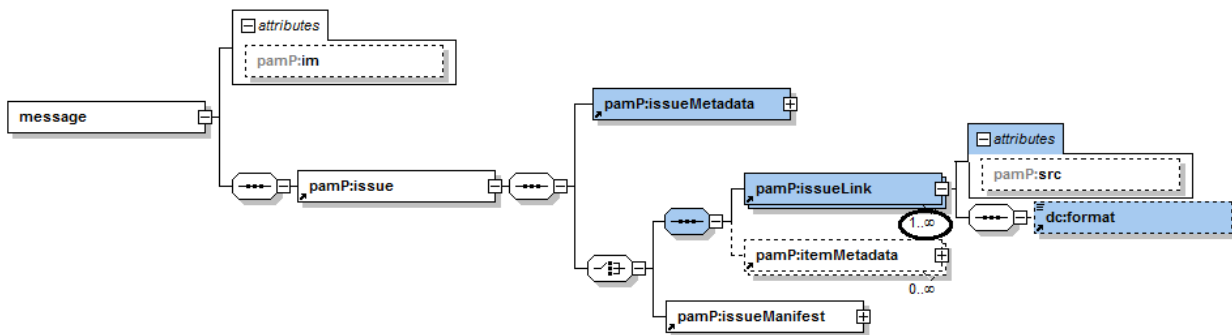


Figure 4.3 IM 1-3 Schema View

```
<message im="1-3">
<issue><issueMetadata> . . . </issueMetadata>
<issueLink scr=http://www.\*\*\*.pdf>
    <dc:format>application/pdf</dc:format>
</issueLink>
<issueLink scr=http://www.\*\*\*.zip>
    <dc:format>application/zip+EPUB3</dc:format>
</issueLink>
</issue>
</message>
```

4.4 Implementation Model 2-1

The first implementation model for Use Case #2 is a model where issue metadata is delivered to aggregators/distributors along with a manifest made up with multiple links to the pdf components that make up the issue, ready for distribution to subscribers. Figure 4.4 shows the XSD path to support this implementation model.

Guide to PSV Aggregator/Distributor Message Package

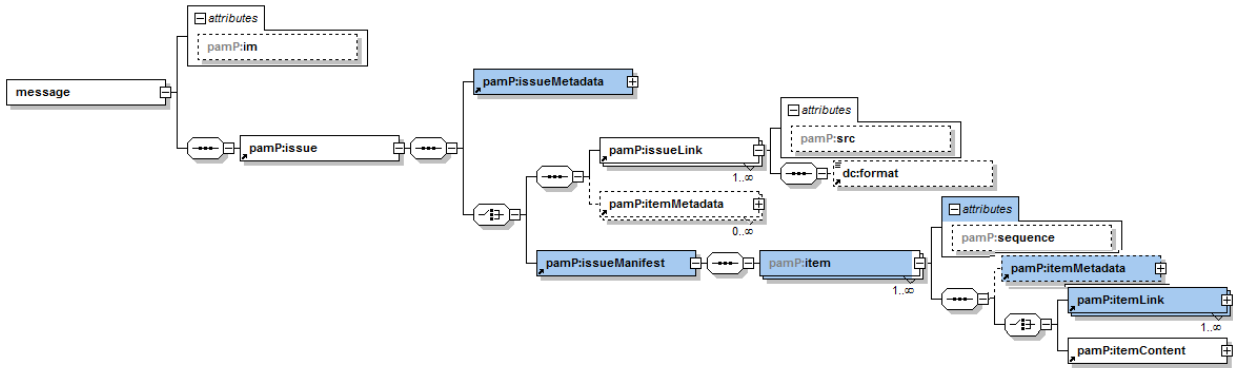


Figure 4.4 IM 2-1 Schema View

```

<message im="2-1">
<issue><issueMetadata> . . . </issueMetadata>
  <issueManifest>
    <item sequence="1">
      <itemMetadata> . . . </itemMetadata>
      <itemLink src=http://www.***.pdf>
        <dc:format>application/pdf</dc:format>
      </itemLink>
    </item>
    <item sequence="2">
      <itemMetadata> . . . </itemMetadata>
      <itemLink src=http://www.***.pdf>
        <dc:format>application/pdf</dc:format>
      </itemLink>
    </item>
  </issueManifest>
</issue>
</message>

```

4.5 Implementation Model 2-2

The second implementation model for Use Case #2 is a model where issue metadata is delivered to aggregators/distributors along with a manifest made up with multiple links to the pdf article/components that make up the issue and links to PSV/HTML5 for each article/component, ready for distribution to subscribers. Figure 4.5 shows the XSD path to support this implementation model.

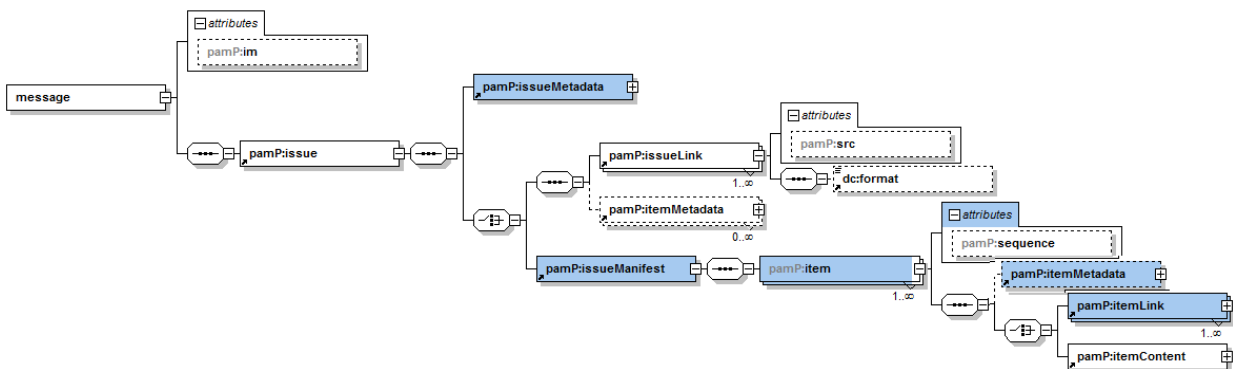


Figure 4.5 IM 2-2 Schema View

Guide to PSV Aggregator/Distributor Message Package

```

<message im="">-1
<issue><issueMetadata> . . . </issueMetadata>
  <issueManifest>
    <item sequence="1">
      <itemMetadata> . . . </itemMetadata>
      <itemLink scr=http://www.***.pdf>
        <dc:format>application/pdf</dc:format>
      </itemLink>
      <itemLink scr=http://www.***.htm >
        <dc:format>text/html</dc:format>
      </itemLink>
    </item>
    <item sequence="2">
      <itemMetadata> . . . </itemMetadata>
      <itemLink scr=http://www.***.pdf>
        <dc:format>application/pdf</dc:format>
      </itemLink>
      <itemLink scr=http://www.***.htm >
        <dc:format>text/html</dc:format>
      </itemLink>
    </item>
  </issueManifest>
</issue>
</message>

```

4.6 Implementation Model 3-1

The first implementation model for Use Case #3 is a model where issue metadata is delivered to aggregators/distributors along with a manifest made up with multiple items for each article/component made up of item metadata and the content coded in PSV HTML5, ready for distribution to subscribers. Figure 4.6 shows the XSD path to support this implementation model.

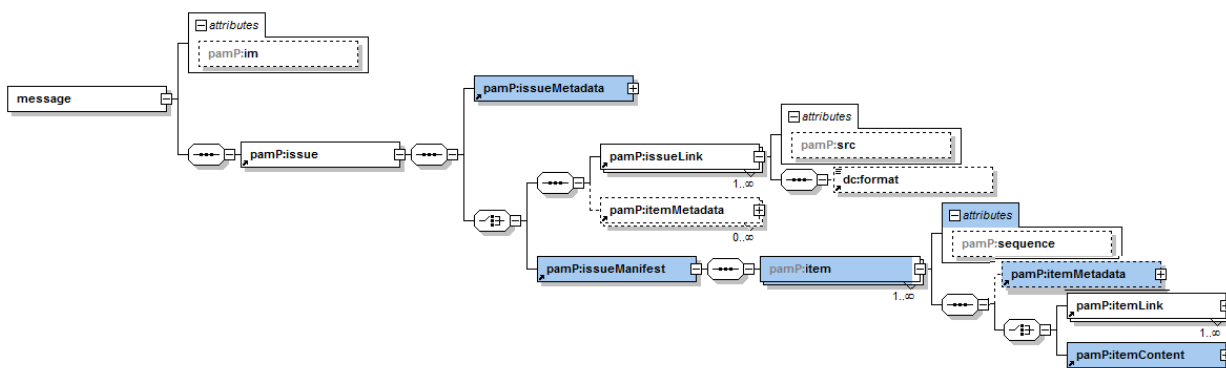


Figure 4.6 IM 3-1 Schema View

```

<message im="">-1
<issue><issueMetadata> . . . </issueMetadata>
  <issueManifest>
    <item sequence="1">
      <itemMetadata> . . . </itemMetadata>
      <itemContent>

```

Guide to PSV Aggregator/Distributor Message Package

```
        <html5:head> . . . </html5:/head>
        <html5:body> . . . </html5:/body>
    </itemContent>
</item>
<item sequence="2">
    <itemMetadata> . . . </itemMetadata>
    <itemContent>
        <html5:head> . . . </html5:/head>
        <html5:body> . . . </html5:/body>
    </itemContent>
</item>
</issueManifest>
</issue>
</message>
```

5 ISSUE METADATA

One of the key structures in the PSV Aggregator/Distributor Message Package is issue metadata. This block was based on the PSV Issue Information block in the WhereUsed structure. Only issue metadata determined to be required by the three use cases documented in this guide were included. See Figure 5.1 for the complete <issueMetadata model.

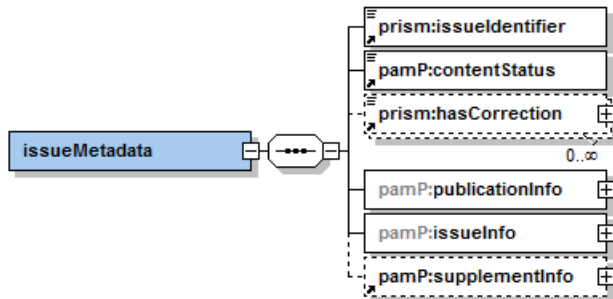


Figure 5.1 Issue Metadata Structure

5.1.1 Required Fields

Required fields in the PSV Aggregator/Distributor Message Package are a unique identifier for the issue, the prism:issueIdentifier and pamP:contentStatus.

5.1.2 pamP:contentStatus

Because corrected content may need to be sent to aggregator/distributors just as it may be sent to aggregator/syndicators in the existing PRISM Aggregator Message, tracking the status is important. JMPA has based its contentStatus element on the pam:status element. Values for the content status will be defined by each market employing this schema. However common fields will include “original” “update” and “correction”.

Note: to communicate the reason for a change in status, the best practice is to use the prism:hasCorrection field to indicate the purpose of the status change.

5.1.3 Publication Information

The PSV Aggregator/Distributor Message Package includes fields from the PSV Publication Information block is its required publication information block. See Figure 5.2.

Guide to PSV Aggregator/Distributor Message Package

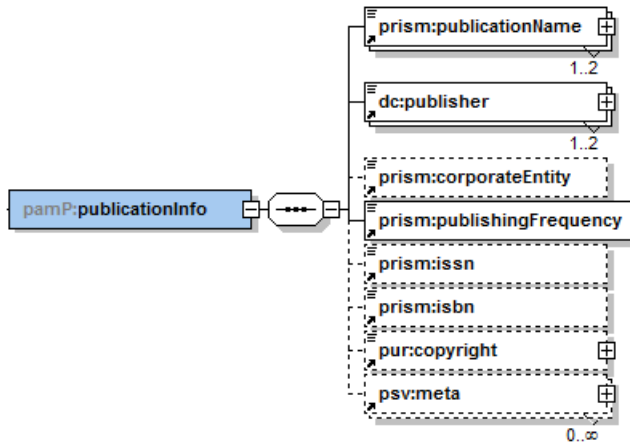


Figure 5.2 Publication Information included in pamP

5.1.4 Fields from PSV Issue Information

The majority of the fields in the PSV Aggregator/Distributor Message Package come from the PSV Issue Information block. See Figure 5.3.



Figure 5.3 PSV Issue Information included in pamP

5.1.5 Supplement Information

PSV Aggregator/Distributor Message Package provides the capability to deliver a standalone supplement as an alternative to delivering an issue. In this case the best practice is to include those fields from Issue Information that applies to the supplement and to use the Supplement Info block to provide additional information specific to a supplement. See Figure 5.4.

Guide to PSV Aggregator/Distributor Message Package

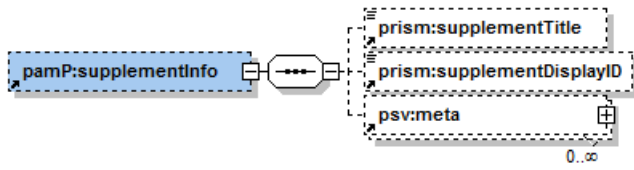


Figure 5.4 PSV Supplement Information included in pamp

6 ITEM METADATA

Implementation models for Use Case #2 add the inclusion of metadata about the components, or items, found within an issue. In this model metadata that could apply to either an article or a supplement are included at the item level. Metadata specific to an article or supplement are found in articleInfo or supplementInfo. See Figure6.1.

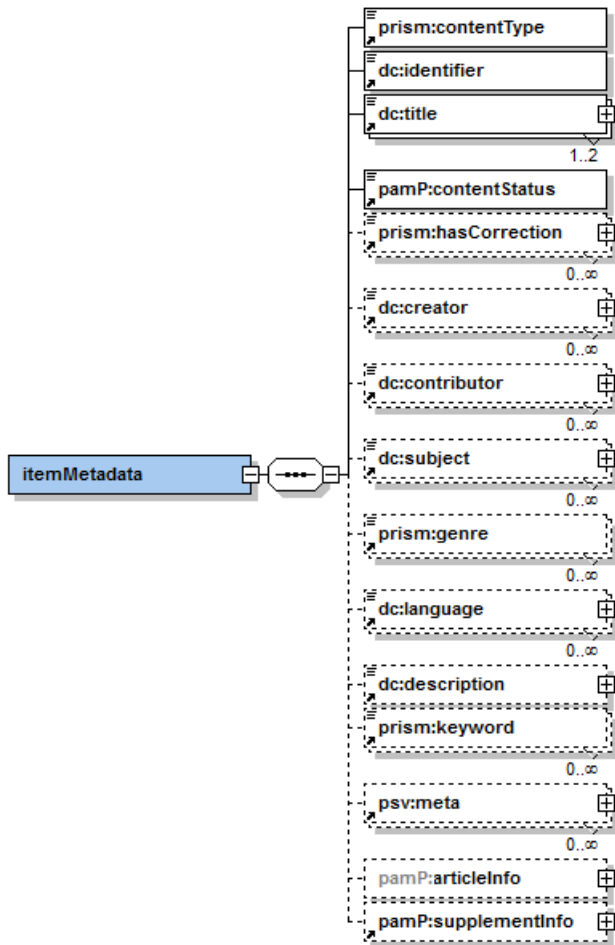


Figure 6.1 Item Metadata Structure

7 PAMP SCHEMA

The core of the PSV Aggregator/Distributor Message Package is found in the pamP.xsd.

```
<?xml version="1.0" encoding="ISO-8859-1"?>
<!-- Edited with XMLSpy v2011 rel. 2 sp1 (http://www.altova.com) by Dianne Kennedy
(Idealliance), Naoki Onodera (JMPA), and Dai Ichikawa (Time Inc.) -->
<!--==== Created for JMPA to support message delivery package. ---->
<!--==== 2012- Sept 21====>
<!-- ++++++
                                pamP: XSD
+++++++ -->
<xs:schema xmlns:xs="http://www.w3.org/2001/XMLSchema"
xmlns:dc="http://purl.org/dc/elements/1.1/"
xmlns:dcterms="http://purl.org/dc/terms/"
xmlns:pamP="http://prismstandard.org/namespaces/pamP/"
xmlns:prism="http://prismstandard.org/namespaces/basic/3.0J/"
xmlns:prism-ad="http://prismstandard.org/namespaces/prism-ad"
xmlns:psv="http://prismstandard.org/namespaces/psv/3.0/"
xmlns:pur="http://prismstandard.org/namespaces/prismusagerights/2.1/"
xmlns:xhtml="http://www.w3.org/1999/xhtml"
targetNamespace="http://prismstandard.org/namespaces/pamP/"
elementFormDefault="qualified" attributeFormDefault="qualified" version="pamP06202012">
  <xs:import namespace="http://purl.org/dc/elements/1.1/" schemaLocation="pamP-
dc.xsd"/>
  <xs:import namespace="http://purl.org/dc/terms/" schemaLocation="pamP-
dcterms.xsd"/>
  <xs:import namespace="http://prismstandard.org/namespaces/basic/3.0J/"
schemaLocation="pamP-prism.xsd"/>
  <xs:import namespace="http://prismstandard.org/namespaces/prism-ad"
schemaLocation="pamP-prism-ad.xsd"/>
  <xs:import namespace="http://prismstandard.org/namespaces/prismusagerights/2.1/"
schemaLocation="pamP-pur.xsd"/>
  <xs:import namespace="http://prismstandard.org/namespaces/psv/3.0/"
schemaLocation="pamP-psv.xsd"/>
  <xs:import namespace="http://www.w3.org/1999/xhtml" schemaLocation="pamP-
xhtml.xsd"/>
  <xs:import namespace="http://www.w3.org/XML/1998/namespace"/>
  <!-- ++++++ pamP:message Element ++++++ -->
  <xs:element name="message">
    <xs:complexType>
      <xs:sequence>
        <xs:element ref="pamP:issue" minOccurs="1"/>
      </xs:sequence>
      <xs:attribute name="im" type="xs:string"/>
    </xs:complexType>
  </xs:element>
  <!-- ++++++ pamP:issue Element ++++++ -->
  <!-- dk added choice; first choice is IM-1 and second is IM-2 and IM-3 -->
  <xs:element name="issue">
    <xs:complexType>
      <xs:sequence>
```

Guide to PSV Aggregator/Distributor Message Package

```

        <xs:element ref="pamP:issueMetadata" />
        <xs:choice>
            <xs:sequence>
                <xs:element ref="pamP:issueLink"
maxOccurs="unbounded" />
                <xs:element ref="pamP:itemMetadata"
minOccurs="0" maxOccurs="unbounded" />
            </xs:sequence>
            <xs:element ref="pamP:issueManifest" />
        </xs:choice>
    </xs:sequence>
</xs:complexType>
</xs:element>
<!-- ++++++ pamP:issueMetadata Element ++++++ -->
<xs:element name="issueMetadata">
    <xs:complexType>
        <xs:sequence>
            <xs:element ref="prism:issueIdentifier" />
            <xs:element ref="pamP:contentStatus" />
            <xs:element ref="prism:hasCorrection" minOccurs="0"
maxOccurs="unbounded" />
            <xs:element name="publicationInfo">
                <xs:complexType>
                    <xs:sequence>
                        <xs:element ref="prism:publicationName"
minOccurs="1" maxOccurs="2" />
                        <xs:element ref="dc:publisher" minOccurs="1"
maxOccurs="2" />
                        <xs:element ref="prism:corporateEntity"
minOccurs="0" />
                        <xs:element ref="prism:publishingFrequency" />
                        <xs:element ref="prism:issn" minOccurs="0" />
                        <xs:element ref="prism:isbn" minOccurs="0" />
                        <xs:element ref="pur:copyright" minOccurs="0"
/>
                        <xs:element ref="psv:meta" minOccurs="0"
maxOccurs="unbounded" />
                    </xs:sequence>
                </xs:complexType>
            </xs:element>
            <xs:element name="issueInfo">
                <xs:complexType>
                    <xs:sequence>
                        <xs:element ref="prism:issueType"
minOccurs="0" />
                        <xs:element ref="prism:sellingAgency"
minOccurs="0" maxOccurs="2" />
                        <xs:element ref="prism:onSaleDay" minOccurs="1"
maxOccurs="2" />
                        <xs:element ref="prism:onSaleDate"
minOccurs="1" maxOccurs="2" />
                        <xs:element ref="prism:offSaleDate"
minOccurs="0" maxOccurs="2" />
                    </xs:sequence>
                </xs:complexType>
            </xs:element>
        </xs:sequence>
    </xs:complexType>
</xs:element>

```

Guide to PSV Aggregator/Distributor Message Package

```
maxOccurs="unbounded" />
/>
minOccurs="1" />
/>
ref="prism:pageProgressionDirection" minOccurs="0" />
minOccurs="0" />
minOccurs="0" />
minOccurs="0" maxOccurs="unbounded" />
minOccurs="1" />
minOccurs="0" />
minOccurs="0" />
maxOccurs="unbounded" />
maxOccurs="unbounded" />
maxOccurs="unbounded" >
minOccurs="1" />
ad:targetedAudience" minOccurs="1" maxOccurs="unbounded" />
maxOccurs="unbounded" />
</xs:sequence>
</xs:complexType>
</xs:element>
<xs:element ref="pamP:supplementInfo" minOccurs="0" />
</xs:sequence>
</xs:complexType>
</xs:element>
<!-- ++++++ pamP:supplementInfo Element ++++++ -->
<xs:element name="supplementInfo" >
  <xs:complexType>
    <xs:sequence>
      <xs:element ref="prism:supplementTitle"
minOccurs="0" />
```

Guide to PSV Aggregator/Distributor Message Package

```
minOccurs="0"/>
                                <xs:element ref="prism:supplementDisplayID"
maxOccurs="unbounded"/>
                                <xs:element ref="psv:meta" minOccurs="0"
                                </xs:sequence>
                                </xs:complexType>
                                </xs:element>

<!-- ++++++ pamP:src Element ++++++ -->
<xs:element name="src" type="xs:anyURI"/>

<!-- ++++++ pamP:issueLink Element ++++++ -->
<xs:element name="issueLink">
  <xs:complexType>
    <xs:sequence>
      <xs:element ref="dc:format" minOccurs="0"/>
    </xs:sequence>
    <xs:attribute name="src" type="xs:anyURI"/>
  </xs:complexType>
</xs:element>

<!-- ++++++ pamP:issueManifest Element ++++++ -->
<!-- dk added choice; first choice is IM-2 and second choice is IM-3 -->
<xs:element name="issueManifest">
  <xs:complexType>
    <xs:sequence>
      <xs:element name="item" maxOccurs="unbounded">
        <xs:complexType>
          <xs:sequence>
            <xs:element ref="pamP:itemMetadata"
minOccurs="0"/>
            <xs:choice>
minOccurs="1" maxOccurs="unbounded"/>
              <xs:element ref="pamP:itemLink"
              <xs:element
ref="pamP:itemContent"/>
            </xs:choice>
          </xs:sequence>
          <xs:attribute name="sequence"
type="xs:string"/>
        </xs:complexType>
      </xs:element>
    </xs:sequence>
  </xs:complexType>
</xs:element>

<!-- ++++++ pamP:itemMetadata Element ++++++ -->
<xs:element name="itemMetadata">
  <xs:complexType>
    <xs:sequence>
      <!-- put all item level metadata here -->
      <xs:element ref="prism:contentType"/>
      <xs:element ref="dc:identifier"/>

```

Guide to PSV Aggregator/Distributor Message Package

```
<xs:element ref="dc:title" minOccurs="1" maxOccurs="2"/>

<xs:element ref="pamP:contentStatus"/>
<xs:element ref="prism:hasCorrection" minOccurs="0"
maxOccurs="unbounded" />
<xs:element ref="dc:creator" minOccurs="0"
maxOccurs="unbounded" />
<xs:element ref="dc:contributor" minOccurs="0"
maxOccurs="unbounded" />
<xs:element ref="dc:subject" minOccurs="0"
maxOccurs="unbounded" />
<xs:element ref="prism:genre" minOccurs="0"
maxOccurs="unbounded" />
<xs:element ref="dc:language" minOccurs="0"
maxOccurs="unbounded" />
<xs:element ref="dc:description" minOccurs="0"/>
<xs:element ref="prism:keyword" minOccurs="0"
maxOccurs="unbounded" />
<xs:element ref="psv:meta" minOccurs="0"
maxOccurs="unbounded" />
<xs:element name="articleInfo" minOccurs="0">
  <xs:complexType>
    <xs:sequence>
      <xs:element ref="prism:section" minOccurs="0"
maxOccurs="1" />
      <xs:element ref="prism:seriesTitle"
minOccurs="0" />
      <xs:element ref="prism:seriesNumber"
minOccurs="0" />
      <xs:element
ref="prism:pageProgressionDirection" minOccurs="0"/>
      <xs:element ref="prism:pageCount"
minOccurs="0" />
      <xs:element ref="prism:startingPage"/>
      <xs:element ref="prism:endingPage"/>
      <xs:element ref="prism:pageRange"
minOccurs="0" />
      <xs:element ref="prism:samplePageRange"
minOccurs="0" maxOccurs="unbounded" />
      <xs:element ref="psv:meta" minOccurs="0"
maxOccurs="unbounded" />
    </xs:sequence>
  </xs:complexType>
</xs:element>
<xs:element ref="pamP:supplementInfo" minOccurs="0" />
</xs:sequence>
</xs:complexType>
</xs:element>
<!-- ++++++ pamP:itemLink Element ++++++ -->
<xs:element name="itemLink">
  <xs:complexType>
    <xs:sequence>
      <xs:element ref="dc:format" minOccurs="0"/>
    </xs:sequence>
    <xs:attribute name="src" type="xs:anyURI" />
  </xs:complexType>
</xs:element>
```


Guide to PSV Aggregator/Distributor Message Package

```
        </xs:complexType>
    </xs:element>
    <!-- ++++++ pamP:itemContent Element ++++++ -->
    <xs:element name="itemContent">
        <xs:complexType>
            <xs:sequence>
                <!--xs:element ref="xhtml:head" minOccurs="0"/-->
                <xs:element ref="xhtml:body" minOccurs="0"/>
            </xs:sequence>
        </xs:complexType>
    </xs:element>

    <!-- ++++++ pamP:status Element ++++++ -->
    <xs:element name="contentStatus" type="xs:string"/>
</xs:schema>
```