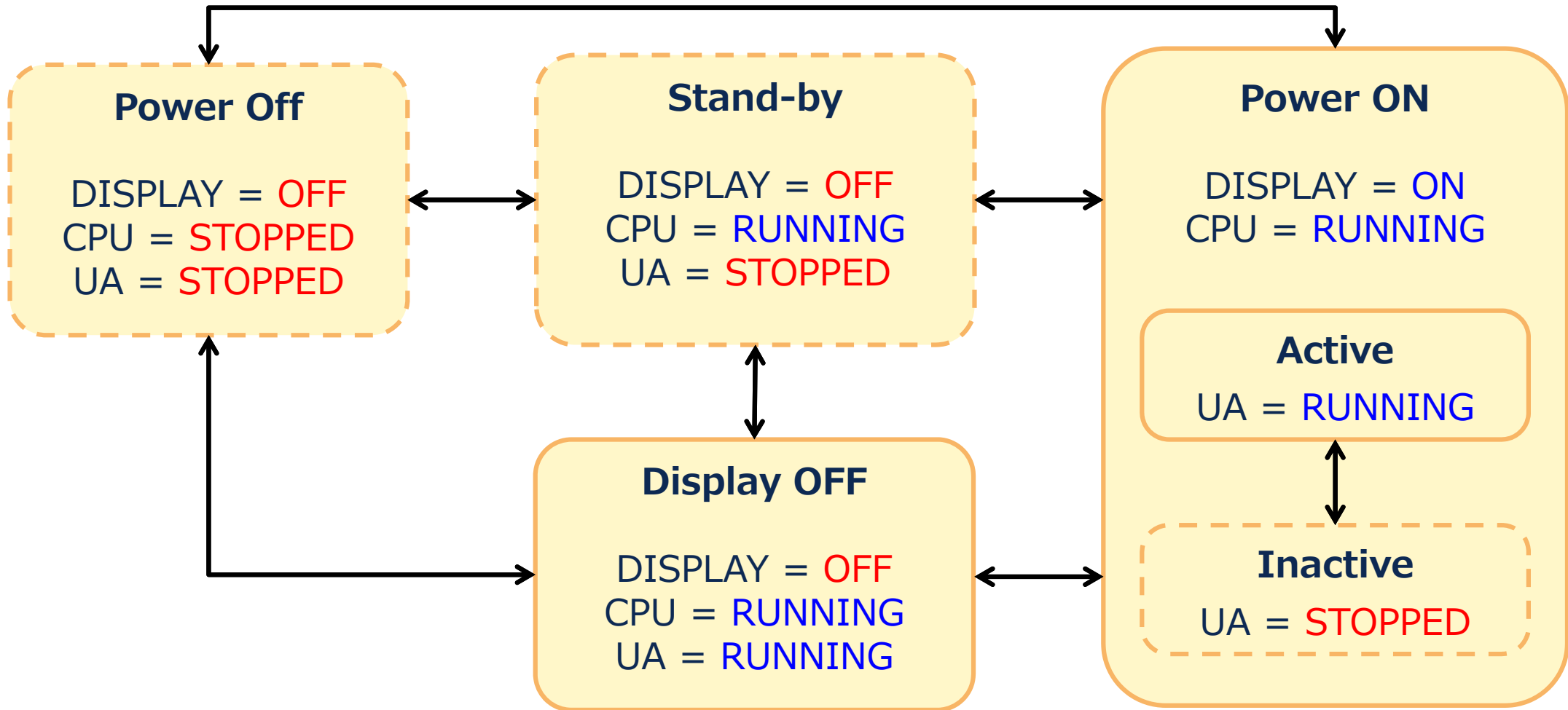
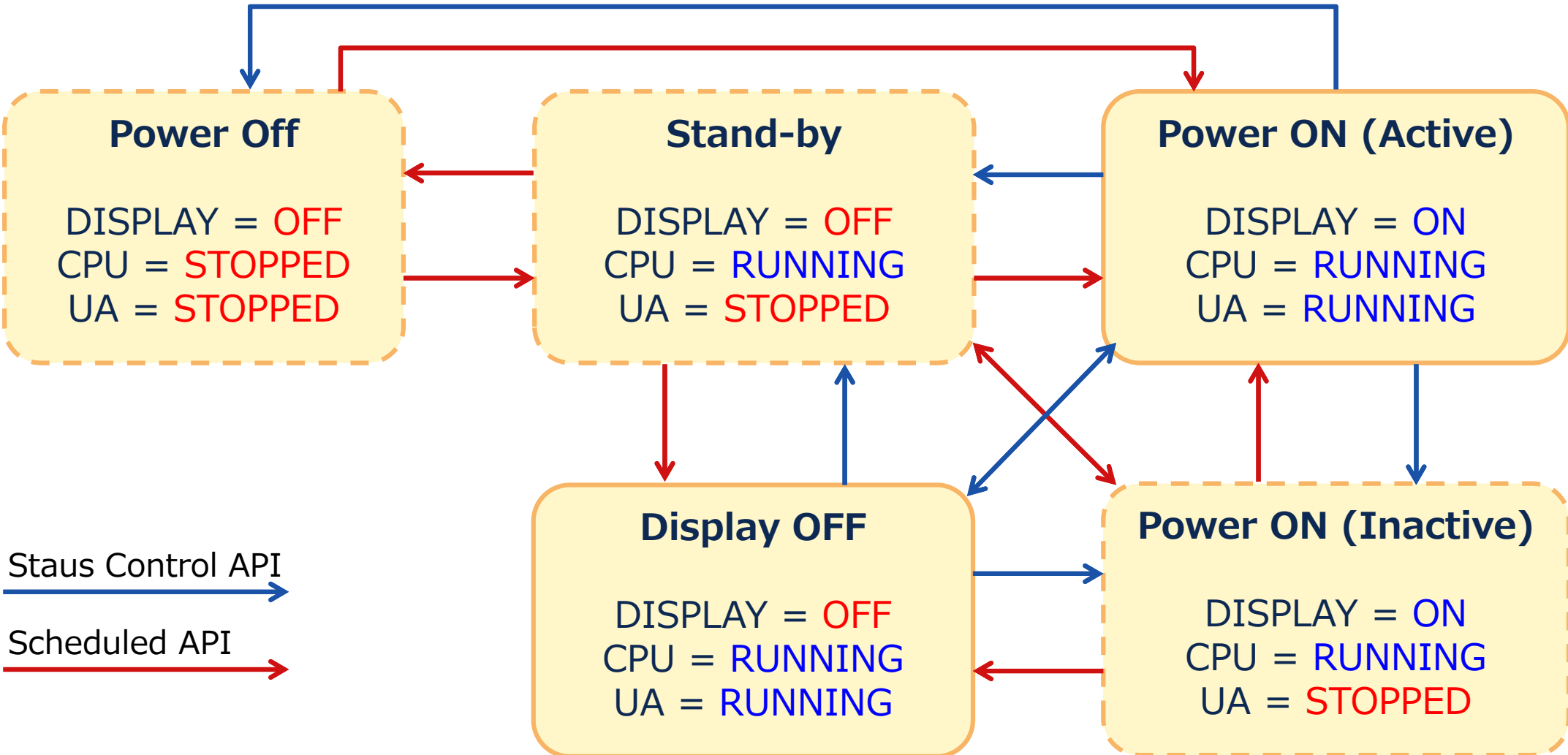


Power Status

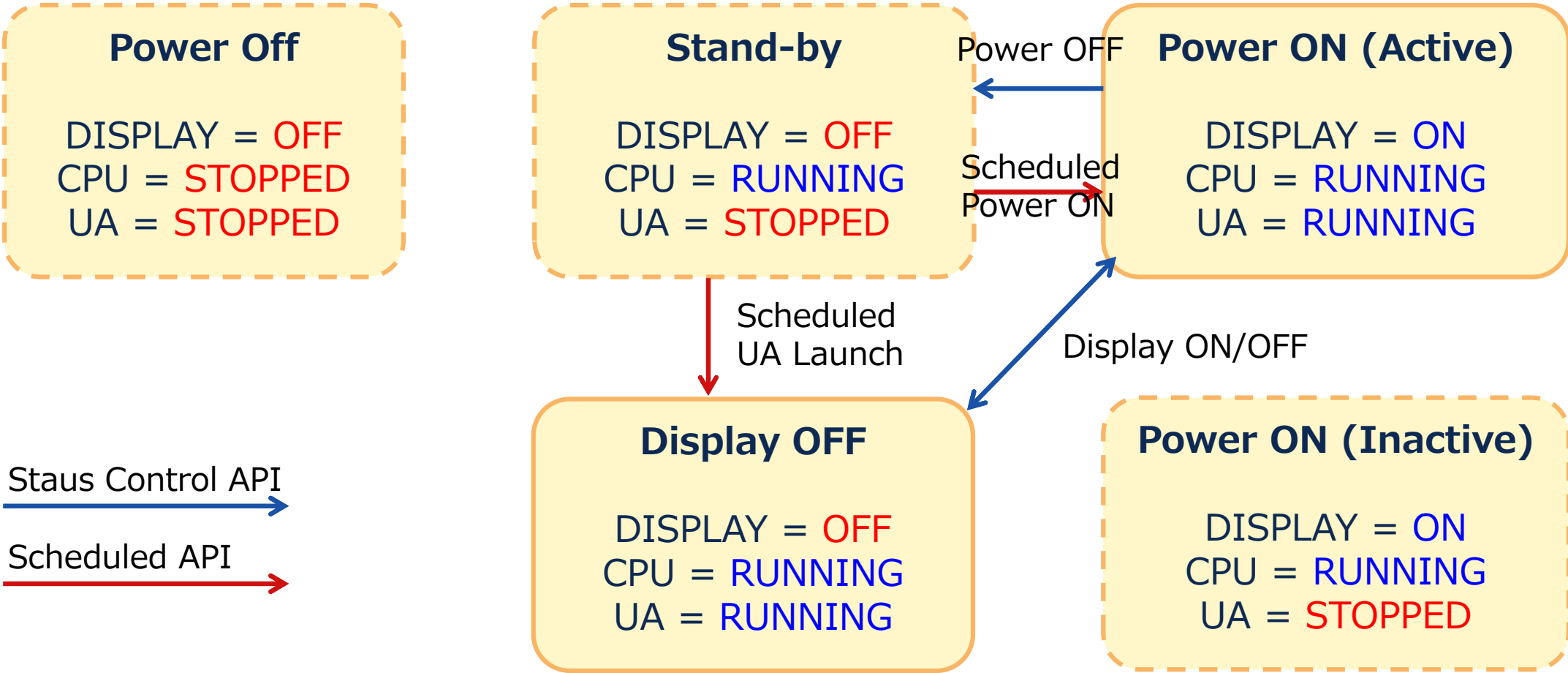


Power Status

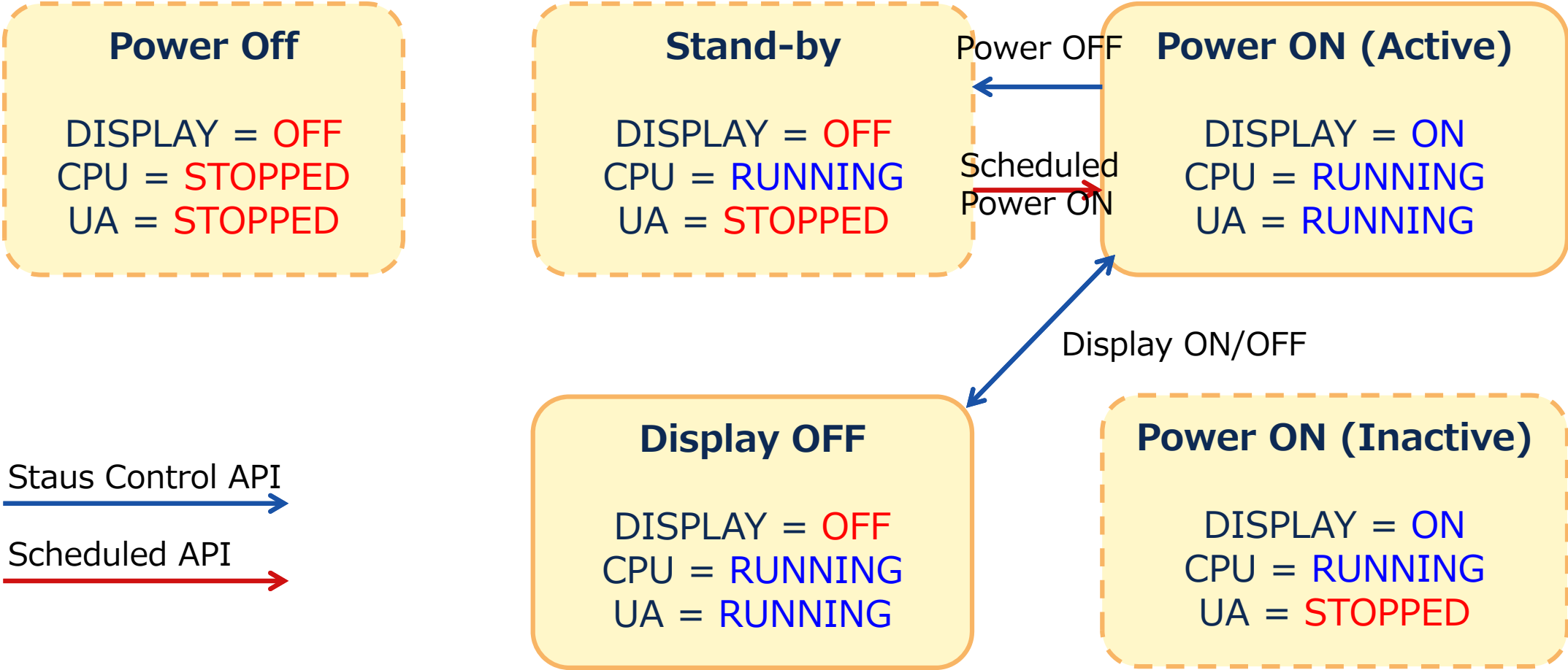
Too complex



Power Status



Power Status (Minimal Case)



```
// Examples for discussion

// Power OFF
navigator.signage.powerOff();

// Power ON : There should be many ideas to specify time
navigator.signage.powerOn("2016-11-22T090000+0900"); // iso8601
// DOMTimeStamp? EPOCH, timeout, with URL?, etc..

// Display ON
navigator.signage.display = true; // need an event on completion?

// Display OFF
navigator.signage.display = false;
```